



A Textron Company

ALERT SERVICE BULLETIN

206L-19-183

10 July 2019

MODEL AFFECTED: 206L, 206L-1, 206L-3 and 206L-4

SUBJECT: AIR COMM CORPORATION AIR CONDITIONER
BLOWER MOTOR CONNECTOR

HELICOPTERS AFFECTED: Serial numbers 45001 through 45153, 46601
through 46617, 45154 through 45790, 51001
through 51612, and 52001 through 52496.

COMPLIANCE: See attached Service Bulletin (SB) 206-021219
Revision NC dated February 12, 2019.

DESCRIPTION:

The purpose of this bulletin is to achieve complete distribution of the attached supplier bulletin to the owners/operators currently registered on the Bell technical publications distribution list.
Applicability of this bulletin to any spare part shall be determined prior to its installation on an affected helicopter.

APPROVAL: See attached Service Bulletin (SB) 206-021219
Revision NC dated February 12, 2019.

CONTACT INFO:

For any questions regarding this bulletin, please contact:

Air Comm Corporation
Tel: 303-440-4075
Email: info@aircommcorp.com

Service Bulletin 206-021219

- Title:** SB 206-021219; Bell 206 Air Conditioner Blower Motor Connector
- Date:** February 12, 2019
- Applicability:** Bell Helicopter Textron Canada Limited (Bell) Model 206 helicopters equipped with the Air Comm air conditioner systems with any of the following general assembly numbers: 206EC-200-9, 206EC-200-10, 206EC-200-11, 206EC-201-1, 206EC-201-2, 206EC-201-3, 206EC-202-9, 206EC-202-10, 206EC-202-11, 206EC-203-1, 206EC-204-1, 206EC-204-2, 206EC-206-1, 206EC-206-2, 206EC-206-3, 206EC-208-1, 206EC-208-2, 206EC-210-1, 206EC-210-2, 206EC-210-3, 206EC-212-3, 206EC-212-4
- Reference:** FAA / STC # SH2750NM, Bell Helicopter 206 Air Conditioning System.
- Compliance:** Recommended within 20 flight hours.
- Supplied Parts:**
- S-6102EC-3 aft evaporator blower:
 1x ES59112-13 2-pin 12-14 AWG plug assembly
 1x ES59112-14 2-pin 12-14 AWG receptacle assembly
 1x ES59112-15 4-pin 12-14 AWG plug assembly
 1x ES59112-16 4-pin 12-14 AWG receptacle assembly
 2x ES59112-37 sealing plug
- S-6078EC-15 aft evaporator blower:
 1x ES59112-15 4-pin 12-14 AWG plug assembly
 1x ES59112-16 4-pin 12-14 AWG receptacle assembly
 2x ES59112-37 sealing plug
- S-7060EC-1/-2/-3/-4 condenser blowers:
 1x ES59112-15 4-pin 12-14 AWG plug assembly
 1x ES59112-16 4-pin 12-14 AWG receptacle assembly
- Not Supplied:** Deutsch HDT-48-00 Crimping tool or equivalent MIL-DTL-22520 Type 1 crimping tool with TH474 Turret Screwdriver

Revision	Issue Date	Inserted by	Approved by	Description of Changes
NC	2/12/2019	CRP	MFK	Initial Release

A. Discussion

This Service Bulletin offers a guide for determining the connector types used on the aft evaporator blower and instructions for replacing Molex connectors with Deutsch connectors on the aft evaporator blower.

B. Weight & Balance

The weight change due to the installation of these parts would be negligible and no adjustment to the weight and balance of the aircraft is necessary.

C. Approval

The technical aspects of this Service Bulletin are based on FAA approved data.

D. Aft Evaporator Blower Procedure

To perform the aft evaporator blower procedure, follow all instructions in Section D.1.

1. Aft Evaporator Blower and Connector Identification

Locate the aft evaporator blower on the aircraft. Figure 1 shows the general aft evaporator blower location.

Determine if the installed aft evaporator blower is a S-6102EC-3 or a S-6078EC-15. Figure 2 and Figure 3 show the visual differences between the two types of aft evaporator blowers. Figure 2 depicts a S-6102EC-3, while Figure 3 depicts a S-6078EC-15. The aft evaporator blowers may also be identified with a placard showing the part number.

Determine if the aft evaporator blower has a Molex or Deutsch Connector. Figure 2 and Figure 3 identify the location of the connector on the aft evaporator blower. Figure 4 shows the visual differences between the two types of connectors. The left connector (white) depicts a 3-pin Molex connector, while the right connector (green) depicts a 4-pin Deutsch connector.

1. If the connector used is a Deutsch connector, no connector replacements are necessary.
2. If the connector used is a Molex connector, for replacement instructions:
 - a. Proceed to Section D.2 if the aircraft has a S-6102EC-3 blower.
 - b. Proceed to Section D.3 if the aircraft has a S-6078EC-15 blower.
3. Mark on the aft evaporator blower using indelible ink "MODIFIED PER SB 206-021219".

After all inspections are completed and any connectors have been replaced, mark in the aircraft logbook that SB 206-021219 has been completed.

2. S-6102EC-3 Blower Connector Replacement Procedure

Perform the following steps to replace the Molex connectors with Deutsch connectors:

1. Remove the aft evaporator blower per the Instructions for Continued Airworthiness.
2. Follow the instructions in Section D.4 for replacing the following connectors (refer to Figure 2 for connector locations, Table 1 for pin orientation, and the Instructions for Continued Airworthiness for applicable wiring diagram):
 - a. 3-wire connection
 - i. Aircraft side: use ES59112-15 plug assembly and ES59112-37 sealing plug
 - ii. Blower side: use ES59112-16 receptacle assembly and ES59112-37 sealing plug
 - b. 2-wire connection
 - i. Motor side: use ES59112-14 plug assembly
 - ii. Resistor plate side: use ES59112-13 receptacle assembly
3. Install the aft evaporator blower in the aircraft per the Instructions for Continued Airworthiness.

Table 1: S-6102EC-3 Connector Pin Reference

Molex	Deutsch	Pin Reference
3-wire Pin 1 ¹	ES59112-15/-16 Pin 1	White lead from near side of resistor to low
3-wire Pin 2 ¹	ES59112-15/-16 Pin 4	Red lead from far side of resistor to high
3-wire Pin 3 ¹	ES59112-15/-16 Pin 3	Black lead from 2-wire connector to ground
2-wire Pin 1 ¹	ES59112-13/-14 Pin 1	Orange lead from motor to black lead from resistor plate
2-wire Pin 2 ¹	ES59112-13/-14 Pin 2	Black lead from motor to red lead from resistor plate

1: For purposes of this guide, pin numbering on a Molex connector starts from the side of the connector that is not peaked

3. S-6078EC-15 Blower Connector Replacement Procedure

Perform the following steps to replace the Molex connectors with Deutsch connectors:

1. Remove the aft evaporator blower per the Instructions for Continued Airworthiness.
2. Follow the instructions in Section D.4 for replacing the following connectors (refer to Figure 3 for connector location, Table 2 for pin orientation, and the Instructions for Continued Airworthiness for applicable wiring diagram):
 - a. 3-wire connection
 - i. Aircraft side: use ES59112-15 plug assembly
 - ii. Blower side: use ES59112-16 receptacle assembly
3. Install the aft evaporator blower in the aircraft per the Instructions for Continued Airworthiness.

Table 2: S-6078EC-15 Connector Pin Reference

Molex	Deutsch	Pin Reference
3-wire Pin 1 ¹	ES59112-15/-16 Pin 1	White lead from motor to low
3-wire Pin 2 ¹	ES59112-15/-16 Pin 4	Red lead from motor to high
3-wire Pin 3 ¹	ES59112-15/-16 Pin 3	Black lead from motor to ground

1: For purposes of this guide, pin numbering on a Molex connector starts from the side of the connector that is not peaked

4. General Connector Replacement Procedure

Perform the following steps to replace an existing Molex connector with a supplied Deutsch connector:

1. Remove each contact from the Molex connector by inserting a screwdriver into the connector per Figure 5 to unlock to the contact.
2. Remove the contact from each wire.
3. Crimp each wire with the supplied contact using a Deutsch HDT-48-00 Crimping tool or equivalent MIL-DTL-22520 Type 1 crimping tool and a TH474 Turret.
4. Insert each contact into the supplied plug/receptacle per Figure 6.
5. Insert a ES59112-37 sealing plug into the plug/receptacle for any unused pins.
6. Insert the supplied wedge lock into the plug/receptacle per Figure 6.

E. Condenser Blower Procedure

To perform the condenser blower procedure, follow all instructions in Section E.1.

1. Condenser Blower and Connector Identification

Locate the condenser blower on the aircraft. Figure 1 shows the general condenser blower location.

Determine if the condenser blower has a Molex or Deutsch Connector. Figure 7 identifies the location of the connector on the condenser blower. Figure 4 shows the visual differences between the two types of connectors. The left connector (white) depicts a 3-pin Molex connector, while the right connector (green) depicts a 4-pin Deutsch connector.

1. If the connector used is a Deutsch connector, no connector replacements are necessary.
2. If the connector used is a Molex connector, for replacement instructions proceed to Section E.2.
3. Mark on the condenser blower using indelible ink "MODIFIED PER SB 206-021219".

After all inspections are completed and any connectors have been replaced, mark in the aircraft logbook that SB 206-021219 has been completed.

2. S-7060EC-1/-2/-3/-4 Blower Connector Replacement Procedure

Perform the following steps to replace the Molex connectors with Deutsch connectors:

1. Remove the condenser blower per the Instructions for Continued Airworthiness.
2. Follow the instructions in Section D.4 for replacing the following connectors (refer to Figure 7 for connector locations, Table 3 for pin orientation, and the Instructions for Continued Airworthiness for applicable wiring diagram):
 - a. 4-wire connection
 - i. Aircraft side: use ES59112-15 plug assembly
 - ii. Blower side: use ES59112-16 receptacle assembly
3. Install the condenser blower in the aircraft per the Instructions for Continued Airworthiness.

Table 3: S-7060EC-1/-2/-3/-4 Connector Pin Reference

Molex	Deutsch	Pin Reference
4-wire Pin 1 ¹	ES59112-15/-16 Pin 1	White or yellow lead from actuator to relay #6
4-wire Pin 2 ¹	ES59112-15/-16 Pin 2	Red lead from actuator to relay #3
4-wire Pin 3 ¹	ES59112-15/-16 Pin 3	Blue lead from blower motor to relay #4
4-wire Pin 4 ¹	ES59112-15/-16 Pin 4	Black lead from blower motor to ground

1: For purposes of this guide, pin numbering on a Molex connector starts from the side of the connector that is not peaked

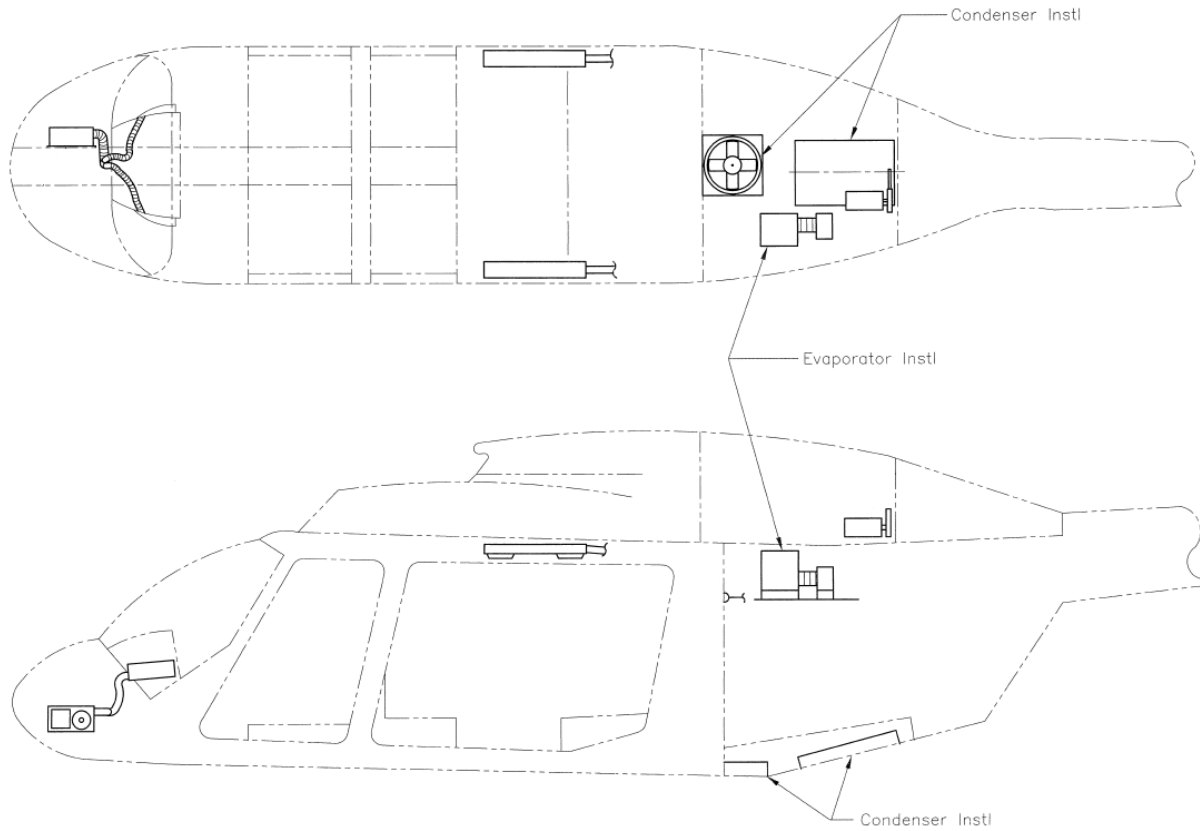


Figure 1: Aft Evaporator Blower Assembly Location

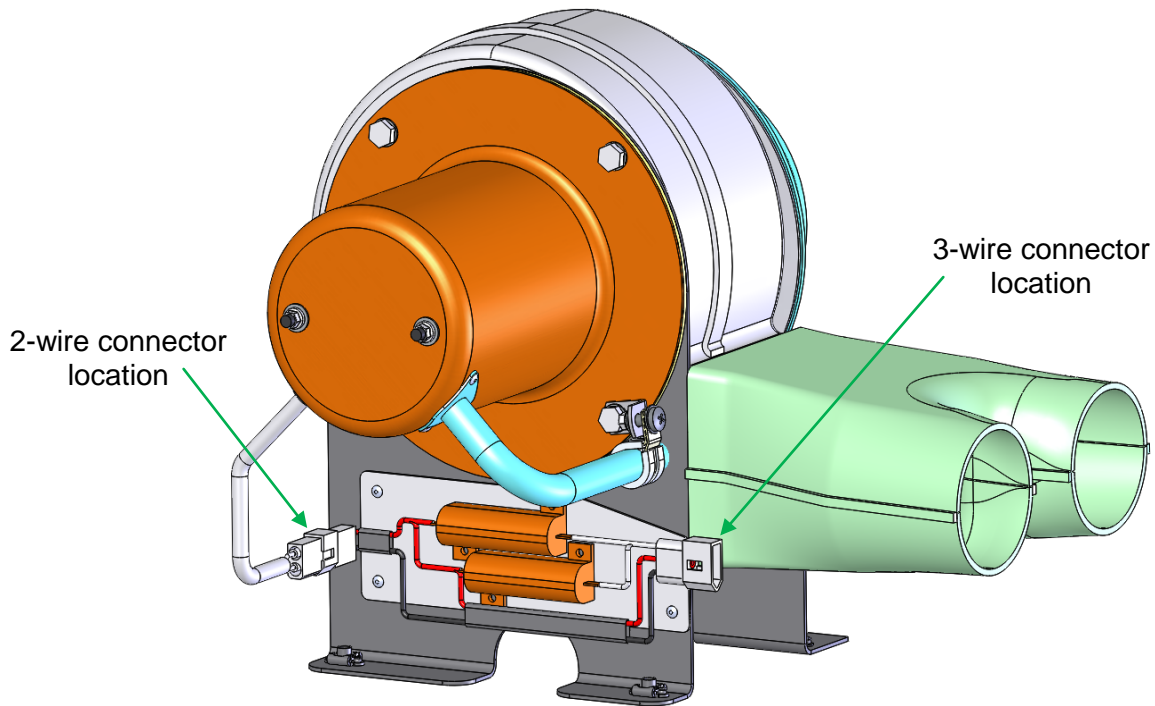


Figure 2: S-6102EC-3 Aft Evaporator Blower

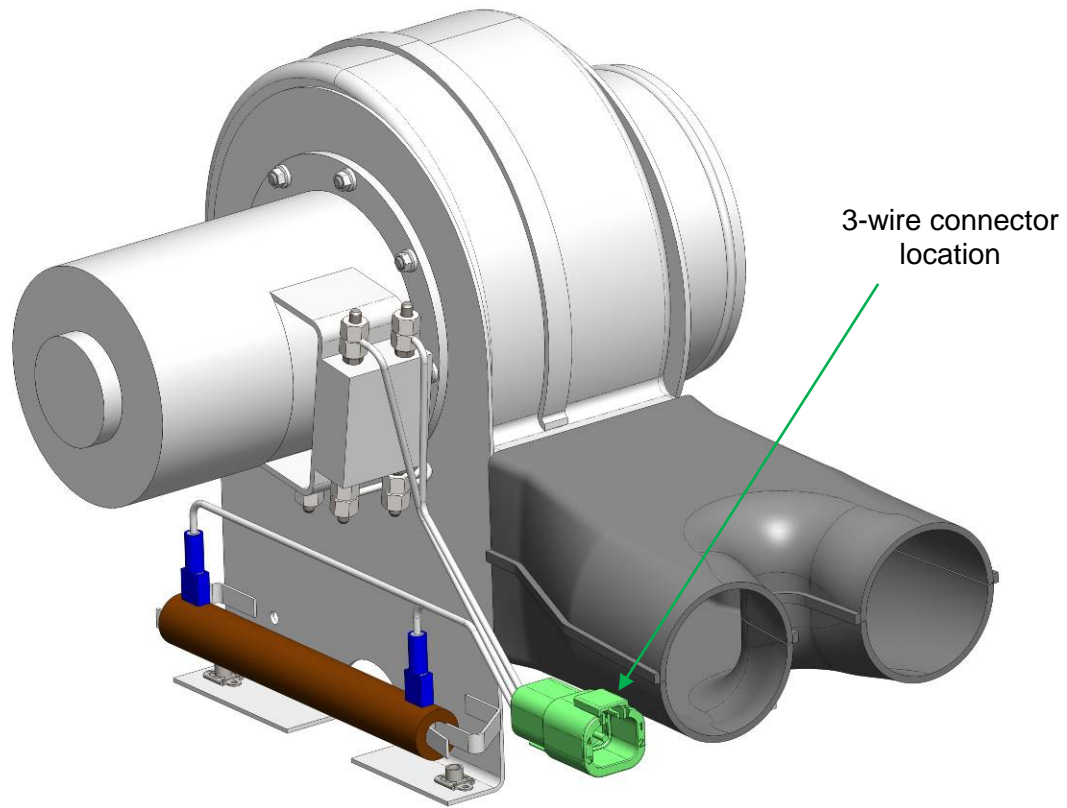


Figure 3: S-6078EC-15 Aft Evaporator Blower

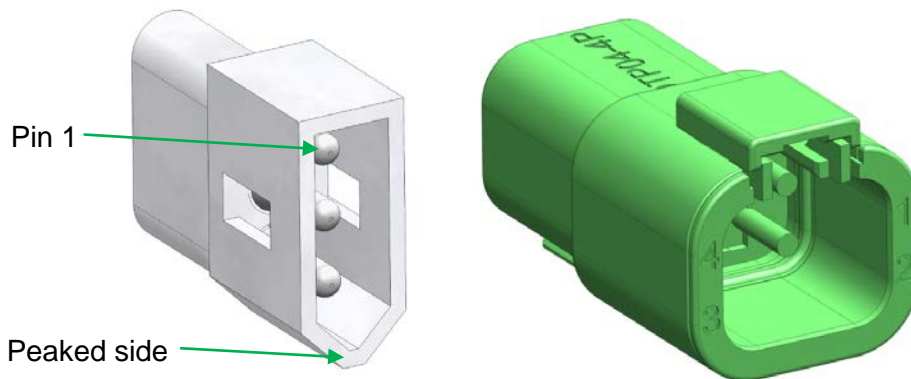


Figure 4: Connector Types

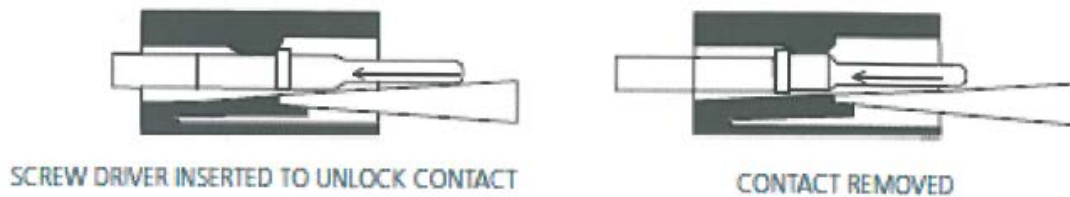


Figure 5: Molex pin removal

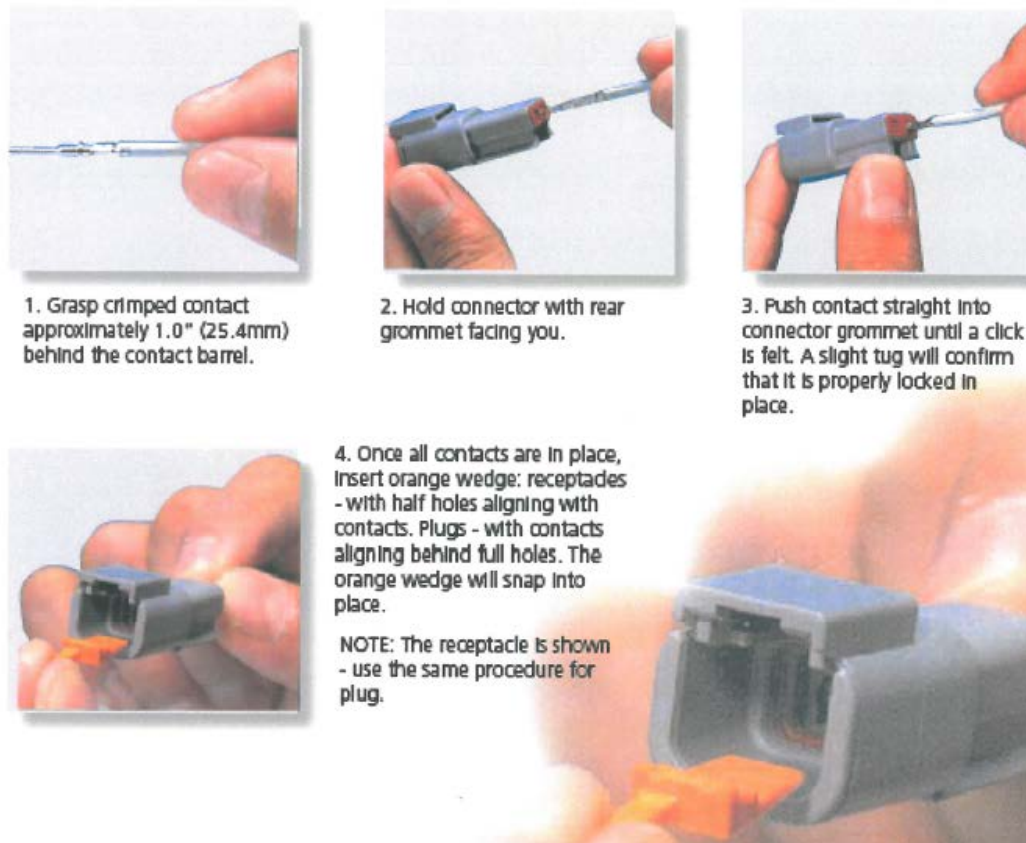


Figure 6: Deutsch connector contact insertion

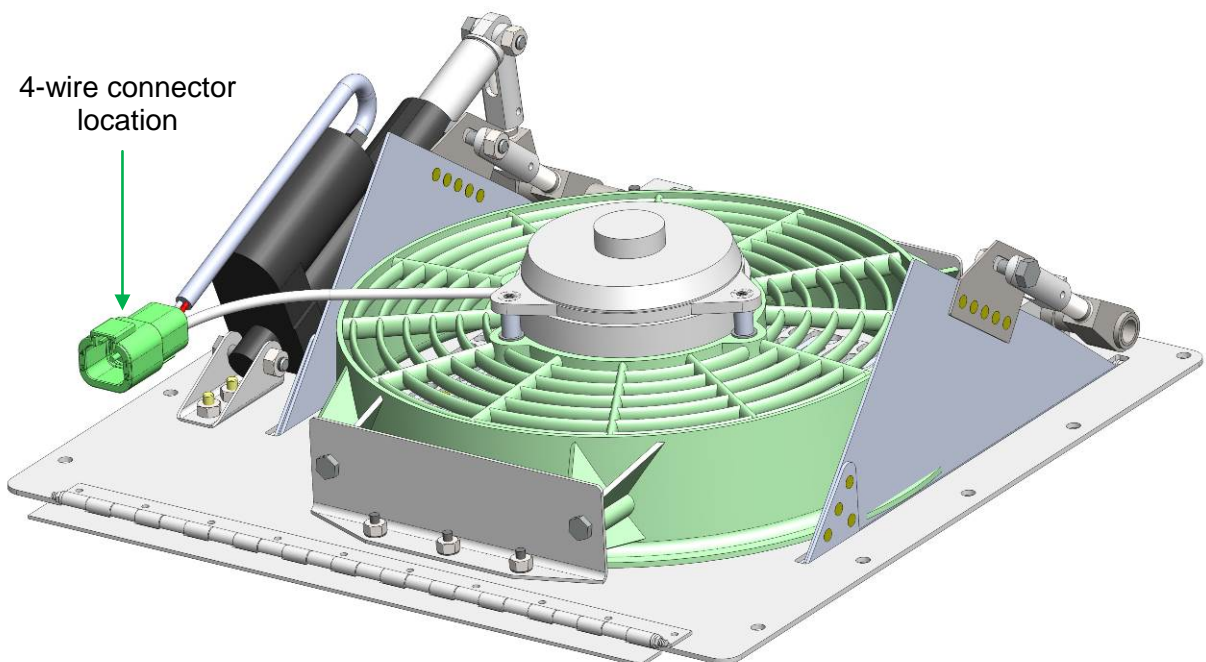


Figure 7: S-7060EC-1/-2/-3/-4 Condenser Blower