

Bell Helicopter **TEXTRON**

A Subsidiary of Textron, Inc.

November 17, 2003

INFORMATION LETTER 206-03-88 206L-03-74 407-03-72

TO: All Owners/Operators of Bell 206 series and 407 Helicopters

SUBJECT: THE CORRECT ORIENTATION OF THRUST BEARING 206-040-038-ALL AND 406-040-038-ALL

Bell Helicopter has received reports of planetary carrier thrust bearing 206-040-038-ALL or 406-040-038-ALL oriented incorrectly. In most cases the transmission started to generate metal that did not cause further damage to the component. This Information Letter is issued to help visualize the correct way to install the bearing.

The faces of the planetary carrier thrust bearing are not symmetrical. The difference in the spacing between the bearing inner and outer rings is visually apparent. The spacing between the rings of one of the faces is smaller than the other. Therefore, prior to inserting the thrust bearing into the center of the carrier assembly, orient the bearing with the smaller spacing towards the top of the carrier assembly (figure 1).

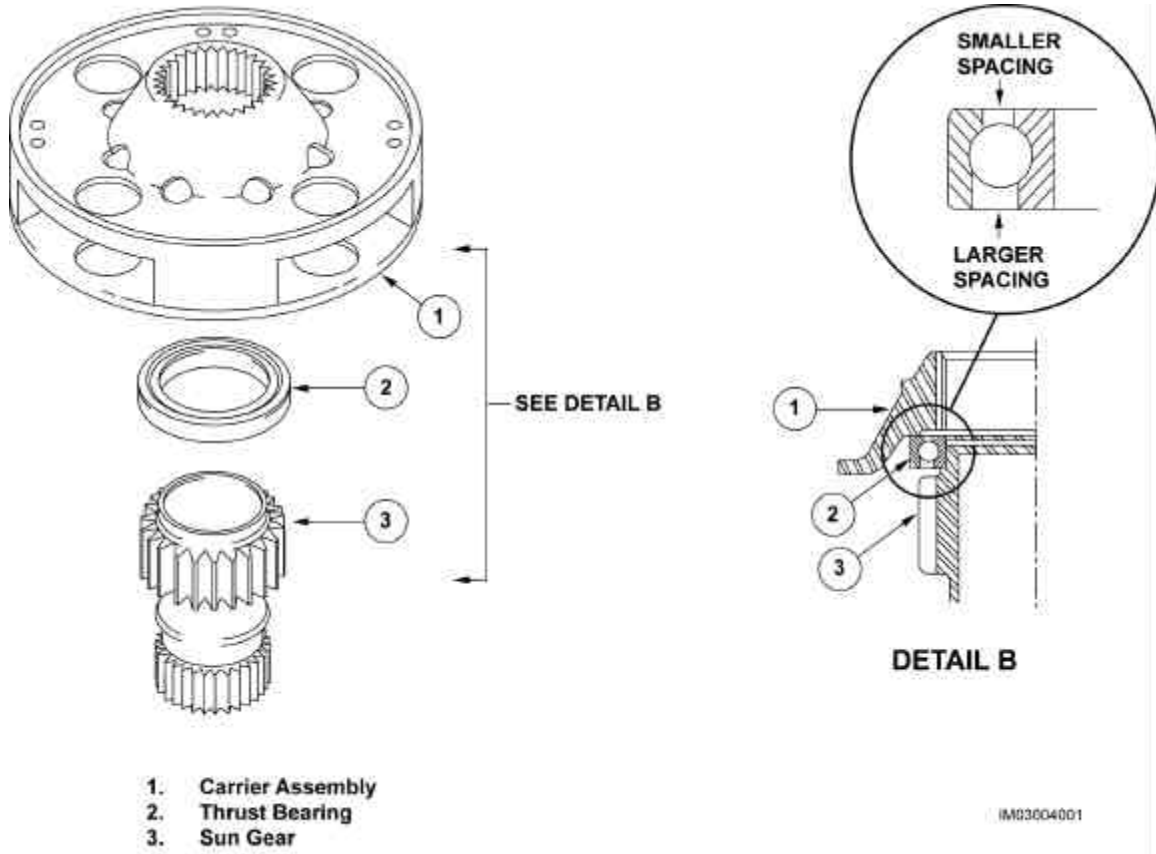


Figure 1. Thrust bearing orientation