

Bell Helicopter **TEXTRON**

A Subsidiary of Textron, Inc.

December 23, 2003

INFORMATION LETTER 214-03-10 214ST-03-19

TO: All Owners/Operators of Bell 214 Series Helicopters

SUBJECT: P/N 214-070-300-001/-101 Internal Rescue Hoist Cable Cutter and Pyrotechnic Cartridge

Attached is Goodrich Corporation (formally TRW Aeronautical Systems) Service Information Letter No. 42277-336-01 describing a change in the cable cutter assembly used in the P/N 214-070-300-001 (Goodrich P/N 42277-1) and P/N 214-070-300-101 (Goodrich P/N 42305-2) internal rescue hoist assemblies.

Effective January 2003, the old cable cutter assembly (Goodrich P/N 42277-336) and its pyrotechnic cartridge (Goodrich P/N 42277-231) used in both of these hoist assemblies are no longer available. They are replaced by Goodrich P/Ns 42305-160 Cable Cutter Assembly and 42315-281 Cartridge Kit (P/N 42315-281 is actually a cartridge and an o-ring).

P/N 42277-182 Rebuild Kit, which is used to rebuild the old cable cutter assembly (including a replacement cartridge), will not be usable on the new cable cutter assembly. Further, the new cable cutter assembly will not have a rebuild (or re-fire) kit. If the new cable cutter assembly is activated, it must be replaced in its entirety along with a new cartridge.

Hoist assemblies currently incorporating old cartridges will require installation of the new cable cutter assembly and a new cartridge when the old cartridge reaches its time life. Thereafter the cable cutter requires replacement only if it is activated or at hoist overhaul. The new cartridge has the same shelf/operational life (5 years from date of manufacture) as the old cartridge.

BHT commercial spares has on hand several of the P/N 42277-182 Rebuild Kits. These kits will be used to depletion subject to the expiration of the cartridge life. As a convenience to our operators, BHT will stock both the new cable cutter and cartridge kit.

Operators are reminded that Operation and Maintenance Manuals, with Illustrated Parts Lists, are available directly from the Goodrich Corporation for each of the hoist assemblies reference above. Goodrich manual number 25-00-05 covers the Goodrich P/N 42277-1 (BHT P/N 214-070-300-001) single speed hoist and manual number 25-00-02 covers the Goodrich P/N 42305-2 (BHT P/N 214-070-300-101) two speed hoist. Both manuals have been recently revised to include the information contained in Goodrich Service Information Letter No. 42277-336-01.

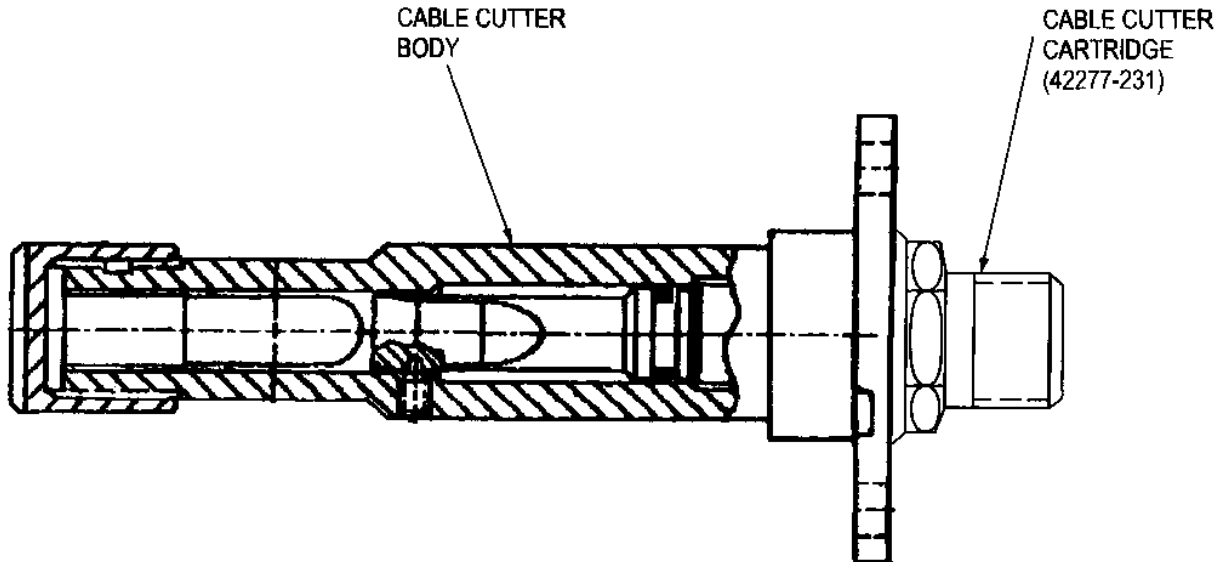
Copies of these manuals may be obtained only from the Goodrich Corporation. Contact Goodrich Technical Publications at telephone 909-569-0334 or fax 909-569-0382.

SERVICE INFORMATION LETTER

SUBJECT: Product Improvement - Replacement of Cable Cutter Assembly, Part Number 42277-336 with Part Number 42305-160.

A. Introduction

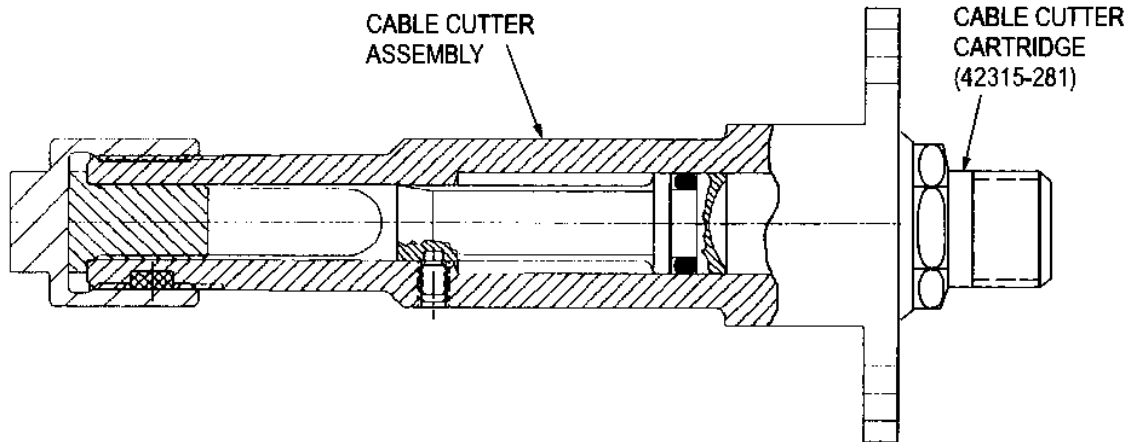
- (1) This Service Information Letter is to inform operators of the TRW Rescue Hoist models 42277-1, 42305-1, and 42305-2, that the existing cable cutter assembly, Part Number 42277-336, see Figure 1, will no longer be available for purchase and will not be supported after January 2003.
- (2) An improved cable cutter assembly, 42305-160 is available as the replacement. This new assembly is a solid piece design that is fabricated from a higher strength stainless steel, see Figure 2. The new cable cutter assembly uses the Mark 44 Mod O cable cutter cartridge, which has a greater resistance to high EMI potentials.
- (3) The new cable cutter body is interchangeable with the old cable cutter.



Rescue Hoist Cable Cutter Assembly, 42277-336
Figure 1

42277-336-01

SERVICE INFORMATION LETTER



Rescue Hoist Cable Cutter Assembly, 42305-160
Figure 2

B. References

- (1) Operation and Maintenance Manual 25-00-05 and Component Maintenance Manual 25-60-04 covering Rescue Hoist Assembly 42277-1.
- (2) Operation and Maintenance Manual 25-00-02 and Component Maintenance Manual 25-60-02 covering Rescue Hoist Assembly 42305-1, 42305-2.

C. Recommended Action

- (1) TRW Aeronautical Systems recommends that when the existing cable cutter cartridges 42277-231 have exceeded the manufacturer's shelf life or have been fired, that the cable cutter assembly and cable cutter cartridge be replaced with the new one.
- (2) The new cable cutter assembly, 42305-160 and cable cutter cartridge, 42315-281 (Mark 44 Mod O) may be purchased from TRW Aeronautical Systems. Hoist operators may obtain price and availability information by contacting the following:

TRW Aeronautical Systems
1550 S. Valley Vista Drive
Diamond Bar, California 91765-3929
USA

Attention: David Markley
Telephone: (909) 569-0228
FAX: (909) 569-0388

42277-336-01