

DATE
REV

MODEL AFFECTED: 212

SUBJECT: FUEL OVERFLOW DEFLECTOR UPGRADE

HELICOPTERS AFFECTED: Model 212 helicopters serial number 30502 through 30999, 31101 through 31311, 32101 through 32142 and 35001 through 35103.

[Model 212 helicopters serial number 35104 and subsequent will have the intent of this bulletin accomplished prior to delivery]

COMPLIANCE: At Customer's Option

DESCRIPTION:

The helicopter is equipped with a fuel overflow deflector located below the fuel fill port on the right side of the helicopter. The deflector prevents fuel overflow from running into the door track and then entering the cabin. The original fuel overflow deflector P/N 205-032-729-015 was made of hard plastic which had a tendency to break or mark the inside surface of the RH sliding door. Current production helicopters use deflector P/N 205-032-729-115 made from a softer material and bonded with a different adhesive. The fuel deflector may be retrofitted by following the procedure outlined in this technical bulletin.

APPROVAL:

The engineering design aspects of this bulletin are FAA/DER approved.

MANPOWER:

Approximately 2.0 man-hours are required to complete this bulletin. Man-hours are based on hands-on time, and may vary with personnel and facilities available.

WARRANTY:

There is no warranty provided for this bulletin.

MATERIALS:

Required Material:

The following material is required for the accomplishment of this bulletin and may be obtained through your Bell Helicopter Textron Supply Center.

<u>Part Number</u>	<u>Nomenclature</u>	<u>Quantity</u>
205-032-729-115 (See note)	Deflector	1

Note: Can be locally manufactured from 110-161-6B rubber seal extrusion (12 inches)

Consumable Material:

The following material is required to accomplish this bulletin, however this material is considered consumable (bench stock) material and may not require ordering depending on the operators consumable material stock levels. This material may be obtained through your Bell Helicopter Textron Supply Center.

<u>Part Number</u>	<u>Nomenclature</u>	<u>Quantity</u>	<u>Reference</u>
TT-N-95, TYII 1GAL	Aliphatic Naphtha	A/R	C-305
299-947-152, TY III (See note)	Adhesive	A/R	C-314
TT-X916 GRADE A	Xylene	A/R	C-347

Note: RTV 730, 20-046 or 94-002 may be used as an alternate

SPECIAL TOOLS:

None required

WEIGHT AND BALANCE:

Not affected

ELECTRICAL LOAD DATA:

Not affected

REFERENCES:

BHT-212-IPB Illustrated Parts Breakdown
BHT-212-MM Maintenance Manual

PUBLICATIONS AFFECTED:

BHT-212-IPB Illustrated Parts Breakdown

ACCOMPLISHMENT INSTRUCTIONS:

1. Make helicopter ready for maintenance.
2. Remove RH sliding door in accordance with maintenance manual, chapter 52.
3. Remove existing deflector and sand any adhesive residue. Do not damage bonded panel.
4. Prepare area to receive the deflector by lightly sanding using 240-grit sandpaper. Remove any sanding residue with cheesecloth dampened with aliphatic naphtha (C-305).
5. Prepare deflector by abrading with 80-grit sandpaper. Clean new deflector with cheesecloth dampened with toluene (C-306) or xylene (C-347).
6. Mark deflector location on panel as shown on Figure 1. Apply one smooth and even coat of adhesive (C-314) on both surfaces and allow to air dry for 15 to 30 minutes.
7. Install deflector and secure with tape. Allow adhesive to cure for 24 hours.
8. Touch-up paint.
9. Re-install sliding door in accordance with maintenance manual, chapter 52.
10. Make helicopter ready for flight
11. Make an entry in helicopter historical records indicating compliance with this technical bulletin.

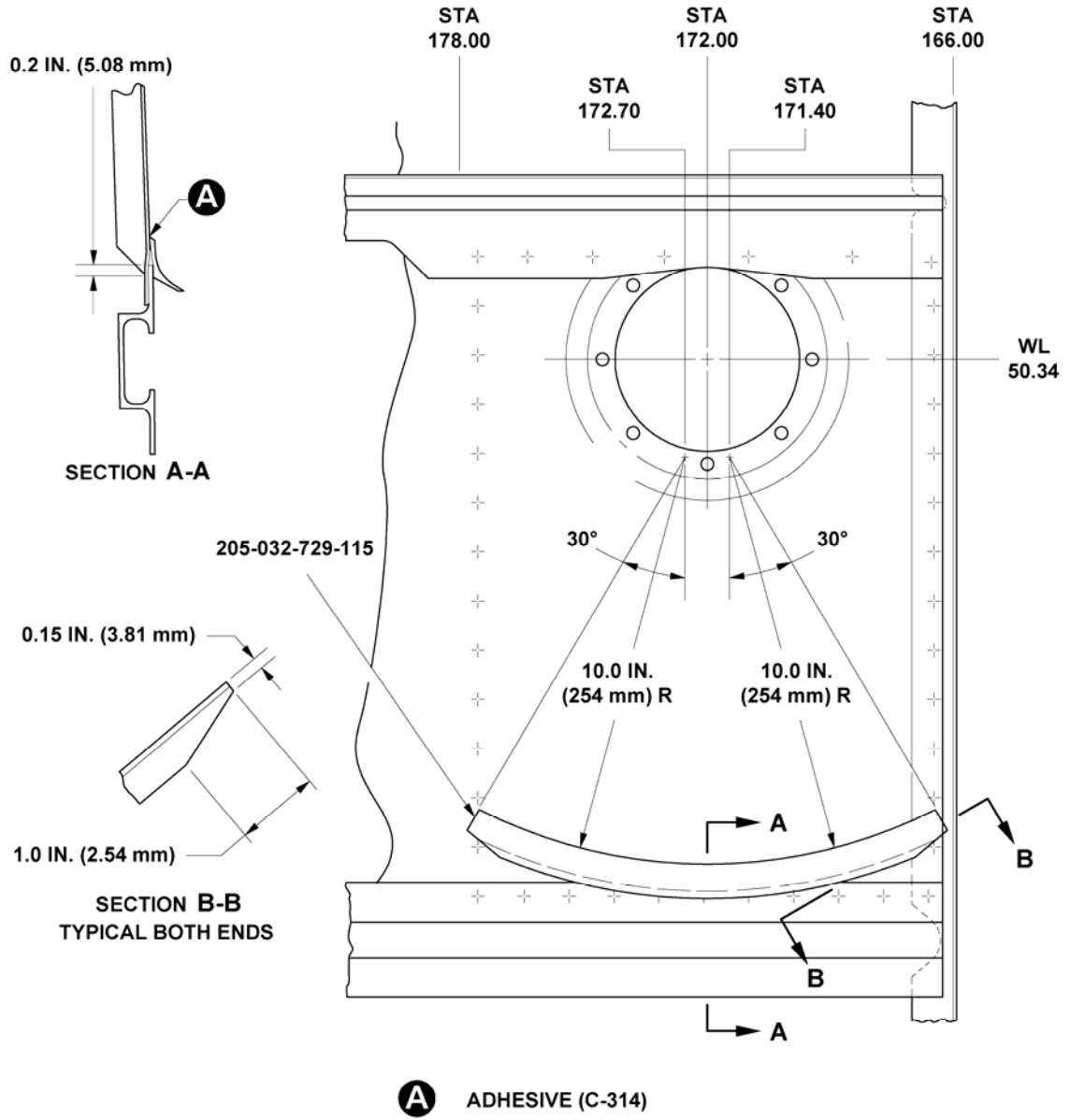


Figure 1
Installation Details