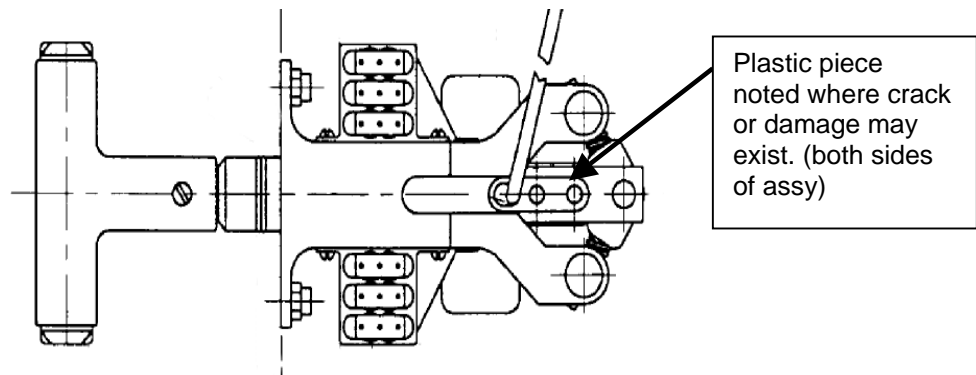


OPERATIONS SAFETY NOTICE

June 28, 2006

OSN 212-06-44**OSN 412-06-27****Revision A****TO: All Owners/Operators of Bell 212/412 series Helicopters****SUBJECT: Handles 209-070-280-005/007/101/103, Mfg. Part No. PH-108, PH-109, PH-116 & PH-117 respectively.**

Bell Helicopter recently investigated reports of cracks in the Fire "T" Handle. Investigation revealed that the cracks were the result of extended environmental effects on the non-metallic (plastic) plate material. The handles investigated were handles manufactured by Saint Switch inc. which was an approved vendor used by Bell Helicopter up to 1987. Since 1987, Bell Helicopter has procured and installed alternate Fire "T" handles. P/N E855M9-107 and -109 from Avionic Product Co. and P/N PH-130 and P/N PH-131 from Micro Switch a Honeywell Division, but an unknown number of the PH-108, PH-109, PH-116 and PH-117 handles remain in-service in delivered helicopters. No other reports of cracks have been received on any other Fire "T" Handle pre 1987 or on the newer Fire "T" Handles manufactured after 1987.



Present inspection intervals require actuation of the Fire "T" Handle to verify serviceability. Bell Helicopter recommends that operators insure that a visual inspection is also accomplished during the required serviceability check to insure cracks are not present. If cracks are detected, the Fire "T" Handle should be removed from service and replaced with a serviceable unit. Report all cracked Fire "T" Handle to Bell Helicopter Product Support.